



picture shows optional 3-part head section

STANDARD SPECIFICATIONS

Motor	1 actuator (height)
Power Supply	230 V – (1-50 Hz)
Force	6000 N / 7000 N
Dimensions (length x width)	approx. 202 x 65 cm
Height (min. and max.)	Min: 48,3 cm / Max: 95 cm
Weight	75-79 kg
Loading Capacity (static)	user weight 150 kg, max. weight 200 kg
Operation	Manual or Foot switch
Wheel Lift System	360° turning wheels
Head section	- 1-part head section - 3-part head section
Medical Device Classification	Class I
Safety Lock	

STANDARD FRAME COLORS



UPHOLSTERY

Bio Compatibility	DIN EN ISO 10993- 5:2009-10
Breather hole	
Thickness	8 cm

Standard Quality Amalfi

Colors may show differently in reality due to print reasons.



Optional Quality Pandora Plus Group 2

Colors may show differently in reality due to print reasons.



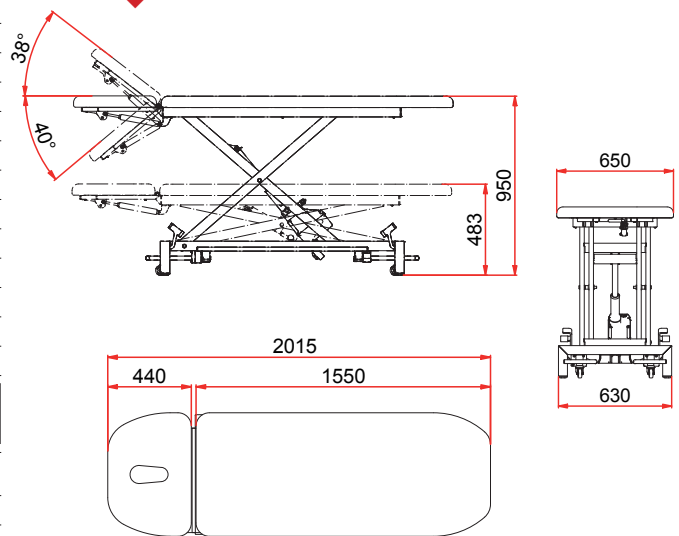
OPTIONS

Height adjustment	hydraulic Peripheral switch
Upholstery	Wellness upholstery Width 75 cm or Width 80 cm

ACCESSOIRES

Paper roll holder (max. 60 cm role)

ARUBA SL2 – 1 part head section



ARUBA SL2 – 3-part head section

