



picture shows optional 3-part head section

### STANDARD SPECIFICATIONS

Motor	1 actuator (height)
Power Supply	230 V – (1-50 Hz)
Force	6000 N / 7000 N
Dimensions (length x width)	approx. 202 x 65 cm
Height (min. and max.)	Min: 52,3 cm / Max: 99 cm
Weight	91-95 kg
Loading Capacity (static)	user weight 150 kg, max. weight 200 kg
Operation	Manual or Foot switch
Wheel Lift System	360° turning wheels
Head section	- 1-part head section - 3-part head section
Medical Device Classification	Class I
Safety Lock	

### STANDARD FRAME COLORS



### UPHOLSTERY

Bio Compatibility	DIN EN ISO 10993- 5:2009-10
Breather hole	
Thickness	8 cm

### Standard Quality Amalfi

Colors may show differently in reality due to print reasons.



### Optional Quality Pandoria Plus Group 2

Colors may show differently in reality due to print reasons.



### OPTIONS

Height adjustment	hydraulic
	Peripheral switch
Upholstery	Wellness upholstery
	Width 75 cm or Width 80 cm

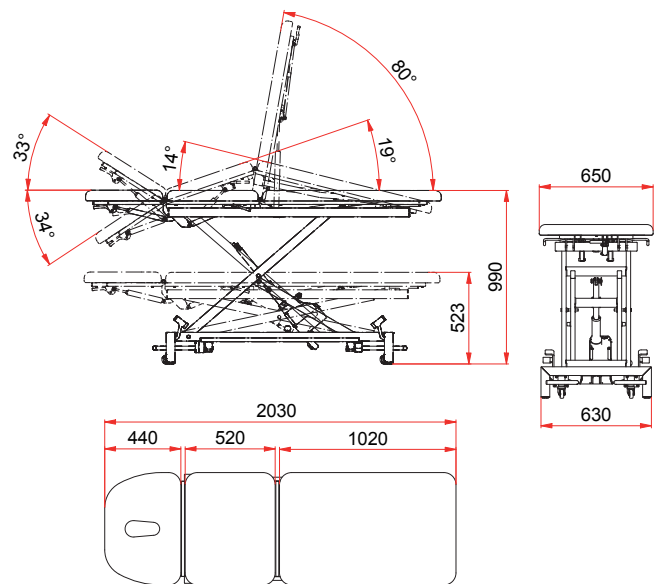
-Electric top positioning with additional motor

-Extension bars (not retrofittable)

### ACCESSOIRES

Paper roll holder (max. 60 cm role)

### ARUBA SL3 – 1 part head section



### ARUBA SL3 – 3-part head section

