



picture shows 1-part head section

STANDARD SPECIFICATIONS

Motor	2 actuator (1x height, 1x electric top positioning with additional motor)
Power Supply	230 V – (1-50 Hz)
Force	8000 N
Dimensions (length x width)	approx. 202 x 65 cm
Height (min. and max.)	Min: 49 cm / Max: 95 cm
Weight	125 - 145 kg
Loading Capacity (static)	225 kg
Operation	Peripheral switch
Wheel Lift System	Easy Lift System (Patent pending)
Wheels	360° turning wheels
Medical Device Classification	Class I
Safety Lock	

STANDARD FRAME COLORS

white

silver

UPHOLSTERY

Bio Compatibility	DIN EN ISO 10993-5:2009-10
Breather hole	
Thickness	6 cm

Standard Quality Amalfi

Colors may show differently in reality due to print reasons.



Optional Quality Pandoria Plus Group 2

Colors may show differently in reality due to print reasons.



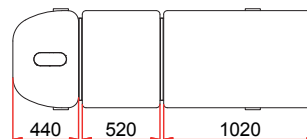
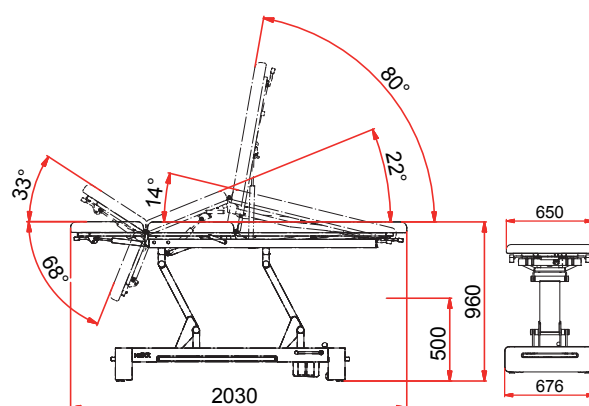
OPTIONS

Head section	- 3-part head section (Patent pending) - 3-part TWIN head section
Upholstery	Extra memory Wellness upholstery Width 75 cm or Width 80 cm

ACCESSOIRES

Paper roll holder (max. 60 cm role)	
Handle Bar (only with 1-part head section)	

NEXX PRO – 1 part head section



NEXX PRO – 3-part head section

