



picture shows 1-part head section

STANDARD SPECIFICATIONS

Motor	1 actuator (height)
Power Supply	230 V – (1-50 Hz)
Force	8000 N
Dimensions (length x width)	approx. 202 x 65 cm
Height (min. and max.)	Min: 49 cm / Max: 95 cm
Weight	110 - 125 kg
Loading Capacity (static)	225 kg
Operation	Peripheral switch
Wheel Lift System	Easy Lift System (Patent pending)
Wheels	360° turning wheels
Medical Device Classification	Class I
Safety Lock	

STANDARD FRAME COLORS



UPHOLSTERY

Bio Compatibility	DIN EN ISO 10993- 5:2009-10
Breather hole	
Thickness	6 cm

Standard Quality Amalfi

Colors may show differently in reality due to print reasons.



Optional Quality Pandoria Plus Group 2

Colors may show differently in reality due to print reasons.



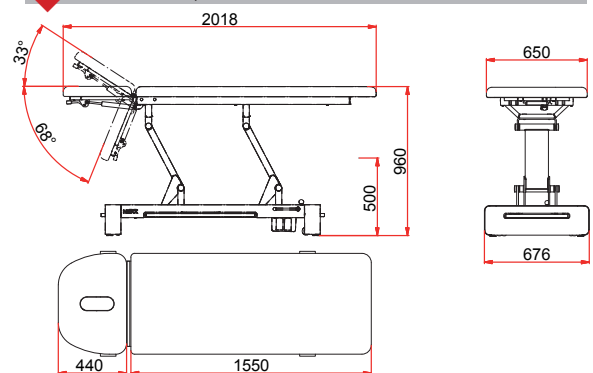
OPTIONS

Height adjustment	Hydraulic
Head section	- 1-part head long version - 3-part head section (Patent pending) - 3-part TWIN head section
Upholstery	Extra memory Wellness upholstery Width 75 cm or Width 80 cm

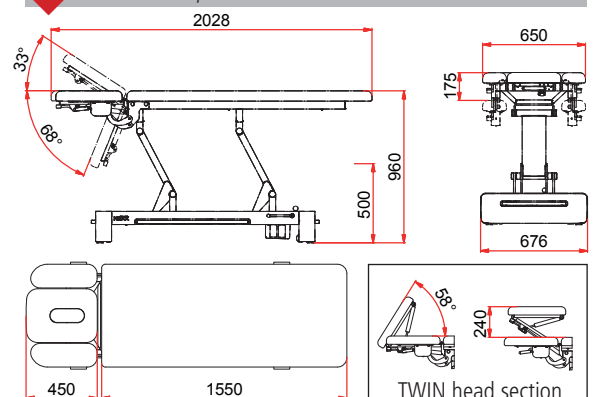
ACCESSOIRES

Paper roll holder (max. 60 cm role)	
Handle Bar (only with 1-part head section)	

NEXX 2 – 1 part head section



NEXX 2 – 3-part head section



NEXX 2 – 1-part head long version

